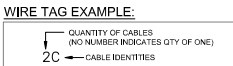


1 UPPER LEVEL - FIRE ALARM PLAN
 SCALE: 1/8" = 1'-0"
 2" 0' 4' 8'
 SCALE: 1/8" = 1'-0"

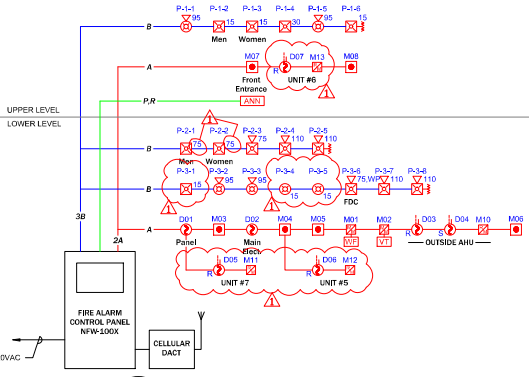
TAG	DESCRIPTION
A	SIGNALING LINE CIRCUIT (2C) 18AWG SOLID, TWISTED, JACKETED CABLE, FPLP
B	NOTIFICATION APPLIANCE CIRCUIT (NBUSL) (2C) 14AWG SOLID, TWISTED, JACKETED CABLE, FPLP
C	REMOTE TEST SWITCH CIRCUIT (2C) 18AWG SOLID, TWISTED, JACKETED CABLE, FPLP
P	AUX. POWER FOR ANNUNCIATOR & SOUNDER BASES (2C) 14AWG SOLID, TWISTED, JACKETED CABLE, FPLP
R	ANNUNCIATOR 485 DATA CIRCUIT (2C) 18AWG SOLID, TWISTED, JACKETED CABLE, FPLP

NOTE#	NOTE TEXT
1.	ALL CIRCUIT POLARITY SHALL BE MAINTAINED.
2.	ALL CIRCUITS SHALL BE FREE OF GROUNDS, WIRE TO WIRE SHORTS, AND OPENING.
3.	INSTALLATION SHALL BE IN STRICT CONFORMANCE WITH THE NATIONAL ELECTRIC CODE, NFPA CODES, LOCAL CODES, AUTHORITIES HAVING JURISDICTION AND ALL OF THE MANUFACTURERS REQUIREMENTS. SPLICES OR TAPS ON S.L.C. CIRCUITS SHALL BE DONE AT DEVICES OR RISER JUNCTION BOXES ONLY.
5.	ALL DEVICES ARE NEW UNLESS SHOWN OTHERWISE



SYMBOL	DESCRIPTION
[FACP]	NOTIFIER NFW-100X FIRE ALARM PANEL MOUNT AS SHOWN ON SHEET FA-3 BACK BOX INCLUDED
[ANN]	REMOTE ANNUNCIATOR-NANN-80 MOUNT AS SHOWN ON SHEET FA-3 BACK BOX INCLUDED
[S]	SYSTEM SENSOR P2RL HORN/STROBE, WALL MOUNT FOR MOUNTING HEIGHT SEE FA GENERAL NOTE 9. BACK BOX: SINGLE GANG x 1.875" deep min.
[S]	SYSTEM SENSOR P2RK OUTDOOR HORN/STROBE, WALL MTD MOUNT DIRECTLY ABOVE FDC AT 17' AG. BACK BOX: SINGLE GANG x 1.875" deep min.
[S]	SYSTEM SENSOR P2RL HORN/STROBE, CEILING MOUNT MOUNT ON CEILING BACK BOX: SINGLE GANG x 1.875" deep min.
[M]	NOTIFIER NFS-21X ADDRESSABLE MANUAL PULL STATION SEE FA GENERAL NOTE 8 FOR MOUNTING HEIGHT BACK BOX: SINGLE GANG 1.875" DEEP MIN
[R]	NOTIFIER FRM-1 ADDRESSABLE RELAY MODULE MOUNT WITHIN 3' OF DEVICE CONTROLLED. BACK BOX: 4" square x 2-1/2" deep
[M]	NOTIFIER FMA-1 ADDRESSABLE MONITOR MODULE MOUNT AS INDICATED ON PRINT BACK BOX: 4" square x 2-1/2" deep
[S]	NOTIFIER FSP-95-S SMOKE DETECTOR (PHOTO) MOUNT AS INDICATED ON PRINT BACK BOX: 4" square x 2-1/2" deep
[S]	NOTIFIER DNR DUCT SMOKE DETECTOR MOUNT AS INDICATED ON PRINT BACK BOX: N/A
[S]	NOTIFIER RTS-13 KEY REMOTE TEST INDICATOR MOUNT ON CEILING UNLESS NOTED OTHERWISE BACK BOX: SINGLE GANG x 1.875" deep min. (BY OTHERS)
[VT]	SPRINKLER VALVE SUPERVISORY (BY OTHERS)
[WF]	SPRINKLER WATERFLOW ALARM (BY OTHERS) BACK BOX: SEE MONITOR MODULE

KEY #	NOTE TEXT
1	INSTALL NEW FACP AND DACT. PROVIDE DEDICATED 120 VAC POWER CIRCUIT TO FIRE ALARM PANEL. RECORD AC CIRCUIT NUMBER INSIDE OF PANEL DOOR. ALL EXISTING ADT FOCUS FIRE ALARM EQUIPMENT AND ASSOCIATED WIRING TO BE REMOVED.
2	EXISTING DEVICE TO BE REMOVED AND REPLACED WITH NEW DEVICE. VERIFY PROPER MOUNTING HEIGHT.
3	EXISTING FIRE ALARM DEVICE TO BE DELETED, REMOVE UNUSED WIRING, OTHERS RESPONSIBLE FOR REPAIR AND REFINISHING OF WALL.



2 RISER DIAGRAM
 SCALE: NONE

MIDWEST FIRE ALARM SERVICES
 9745 Widener, Lenexa, KS 66215
 (913) 677-5772, FAX (913) 677-5772

FORGE ATHLETIC
 6020 N. LINDENWOOD, OLATHE, KS 66062

LINDENWOOD PROPERTIES, LLC
 6020 N. LINDENWOOD

DATE:	05.10.22
DESIGNED BY:	MQ
APPROVED BY:	
PROJECT NUMBER:	33032204076
SHEET TITLE:	FIRE ALARM SYSTEM UPPER LVL FLOOR PLAN
SHEET NUMBER:	FA-2

9283
 PROFESSIONAL ENGINEER